

The future starts here...

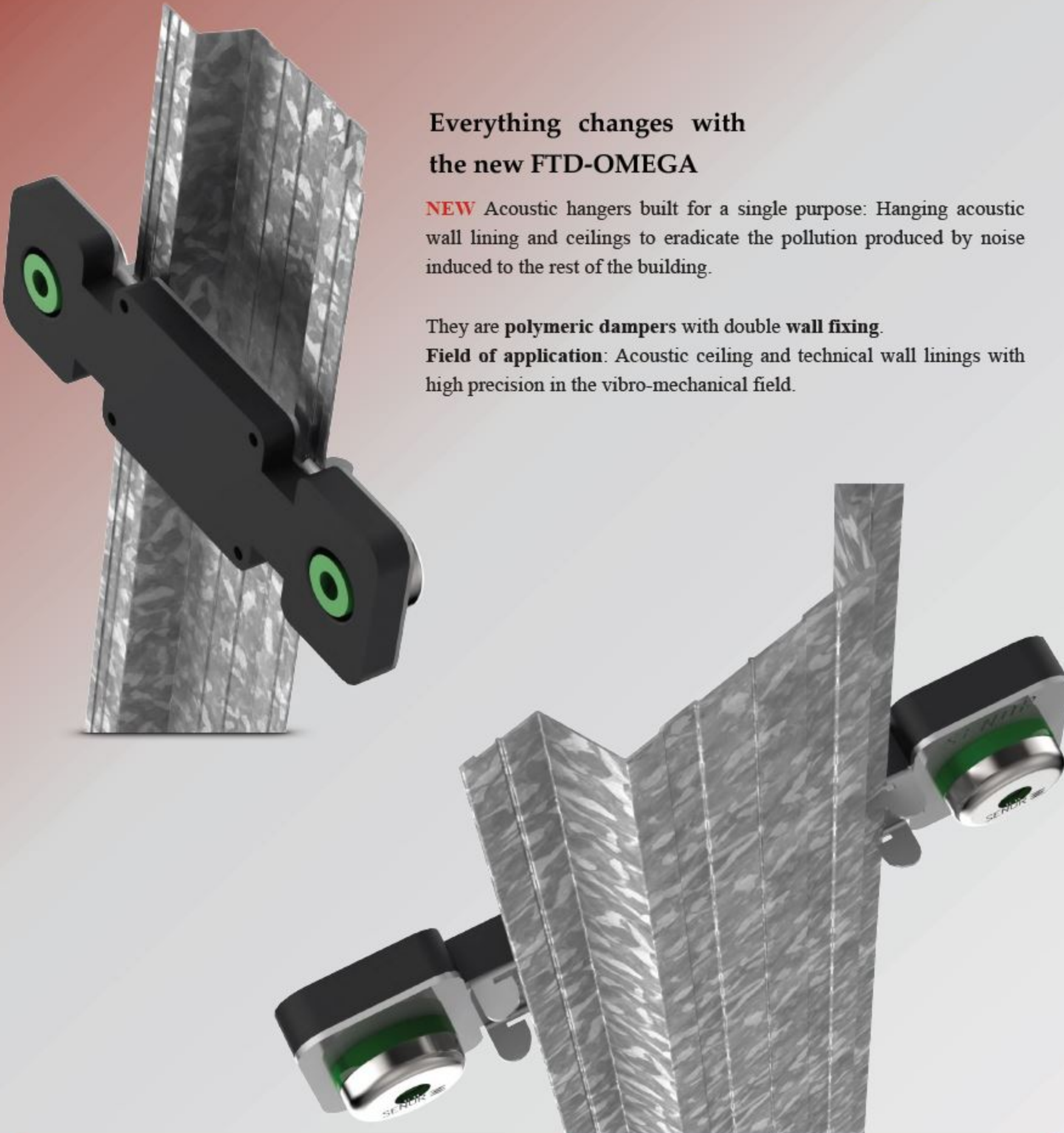
New FTD-OMEGA to ceiling

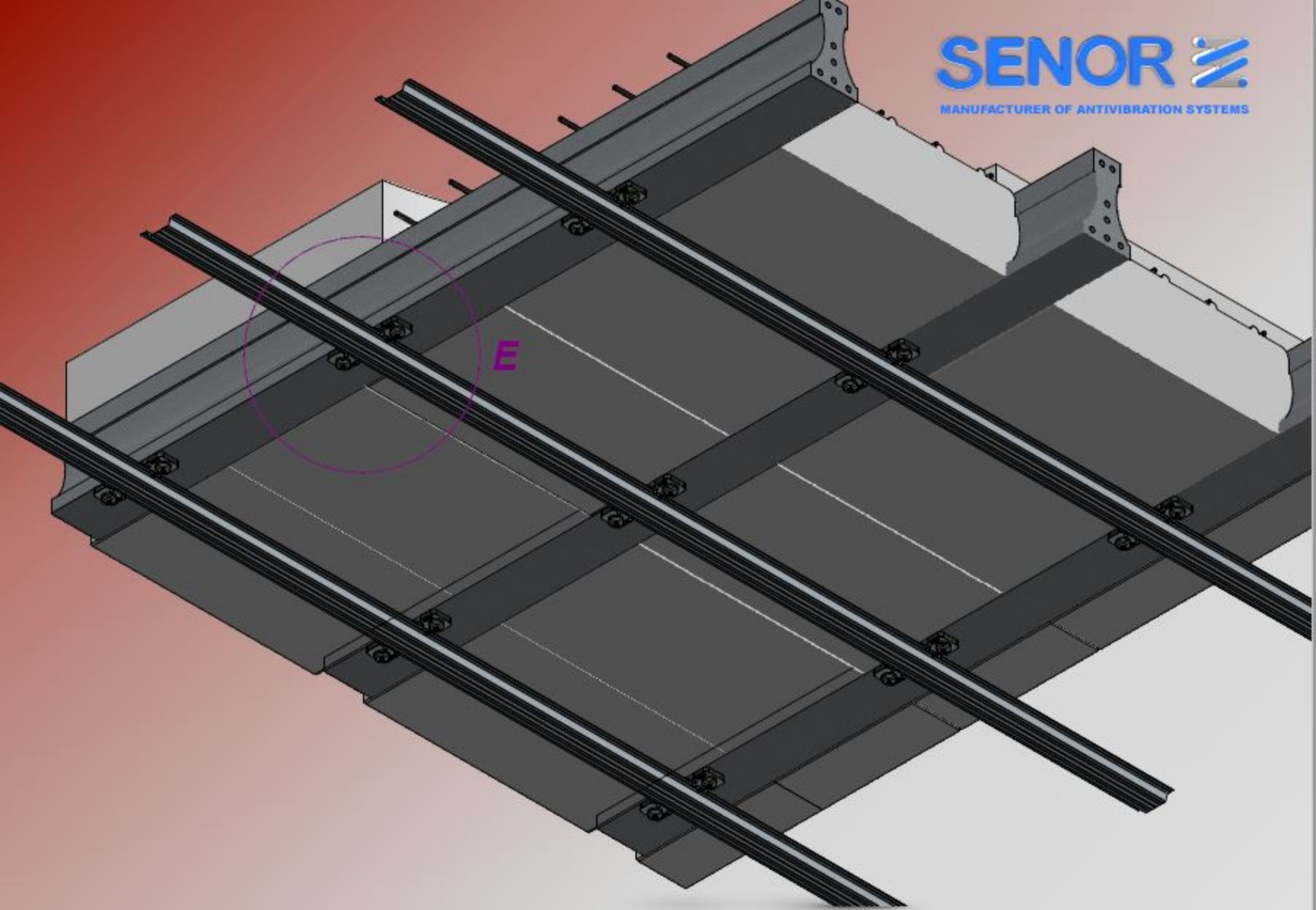
Everything changes with
the new FTD-OMEGA

NEW Acoustic hangers built for a single purpose: Hanging acoustic wall lining and ceilings to eradicate the pollution produced by noise induced to the rest of the building.

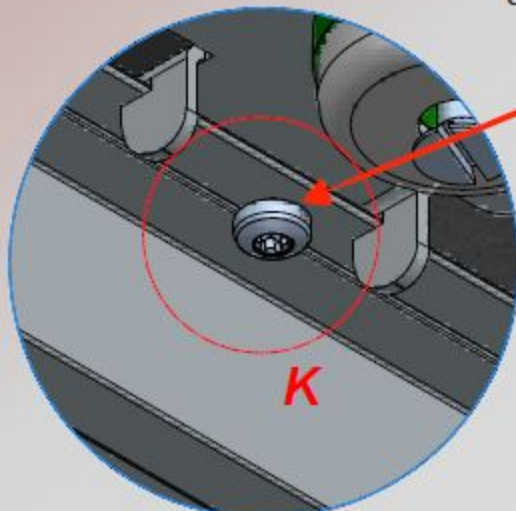
They are **polymeric dampers** with **double wall fixing**.

Field of application: Acoustic ceiling and technical wall linings with high precision in the vibro-mechanical field.

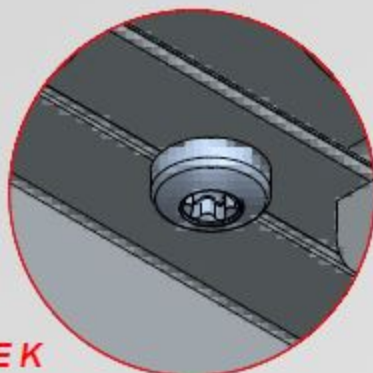




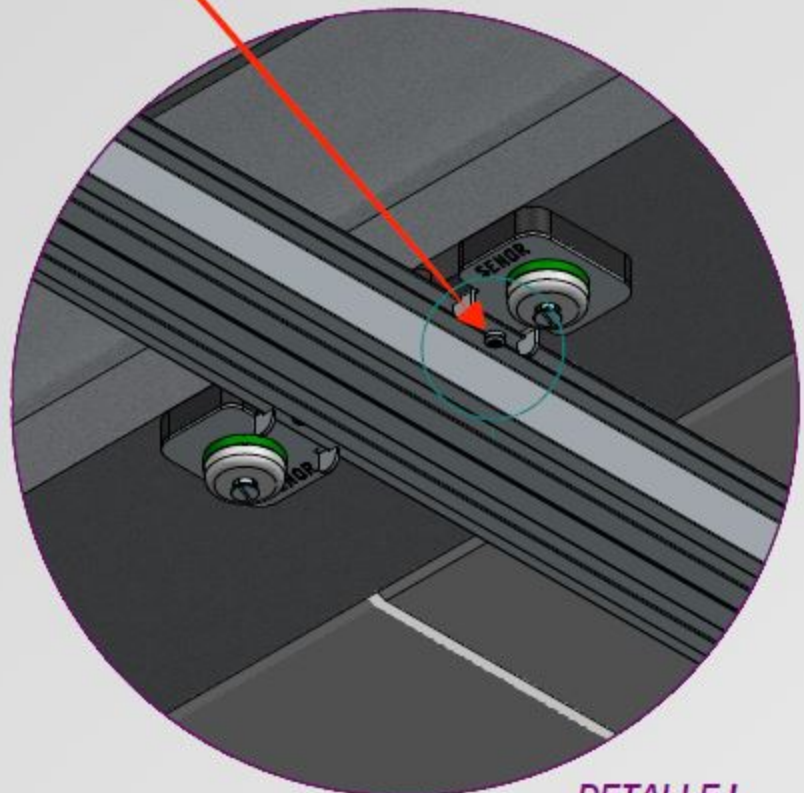
Sheet metal screws with drill bit. This screw avoid OMEGA profile is deformed due to excess load and come off pressure tab.



DETALLE J



DETALLE K



DETALLE I

The future starts here...

New FTD-OMEGA for ceiling

Pressure tab. It is a simple damper. The profile is fixed with a clip. The difference in the CEILING or WALL LINING process is the use of screws. In wall lining the screws are a thing of the past but in ceiling are essentials to guarantee the security. With SENIOR and FTD OMEGA innovation is assured, swiftness and security are already possible, especially in narrow spaces.

